

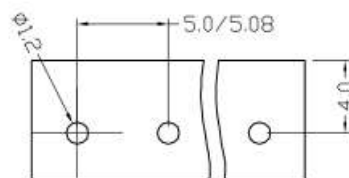
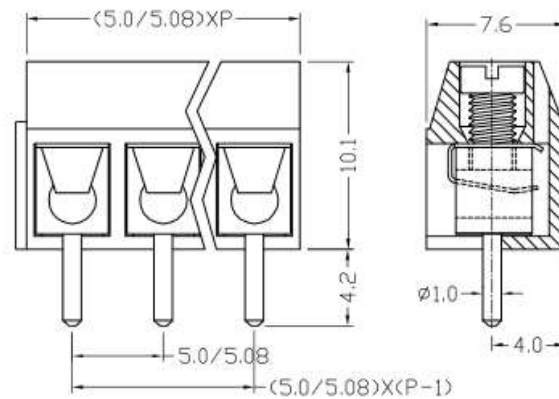
## Specification Sheet

**711-930 2 Way**

**711-931 3 Way**

**A 5mm pitch Low Profile interlocking terminal block from JPR Electronics.**

- Current Rating: 15A/300VAC
- Pitch: 5.0mm (0.197")
- Wire Acceptance: 22-14AWG/1.5mm<sup>2</sup>
- Pin Hole Dia.: 1.2mm
- Housing: PBT (UL 94V-0)
- Wire Protector: Stainless Steel
- Leaf Spring: Stainless Steel
- Solder Pin: Brass, Tin Plated
- Screw: M2.5, Steel(A3), Zinc Plated
- Torque: 0.4Nm
- Operating Temperature : -40°C ~ +105°C
- Pollution Level : III
- Approvals: UL/VDE



PCB